



INSTALLATION INSTRUCTIONS
EM-M10007-GPI & EMFLX-M10007-GPI
440-480 MHz
3 dBd GROUND PLANE INDEPENDENT ANTENNA

*Congratulations on your selection of another quality antenna product from E/M Wave.
E/M Wave is committed to continually provide the greatest antenna VALUE for your wireless applications.*

1. Parts (Figure 1):

Verify all parts are included with the Antenna as shown in Figure 1.

- A. Antenna Whip
- B. Spring Assembly
(SS or e/m-Flex™ Polymer Type)
- C. NMO Base Adapter
- D. O-Ring

2. Tools:

- a. None required for installation to standard NMO Type Mount.

3. Pre-Installation (Figure 2):

- a. **Optimal Performance:** The antenna is designed for installation to an NMO mount using a small metal L-Bracket or non-metallic surfaces.
- b. **NOTE:** See www.emwaveinc.com for product designed for installation on metallic ground plane surfaces.
- c. Ensure O-ring is properly seated within O-ring groove as shown in Figure 2.
- d. **IMPORTANT: NO TUNING OR CUTTING REQUIRED.**

4. Tuning and Installation (Figure 3):

- a. Verify contact spring is completely extended. If necessary, adjust by pulling the contact upward.
- b. Thread Antenna onto the NMO mount. Tighten by hand until O-Ring is completely seated.
- c. **No Tuning or cutting required.**
- d. Verify VSWR.

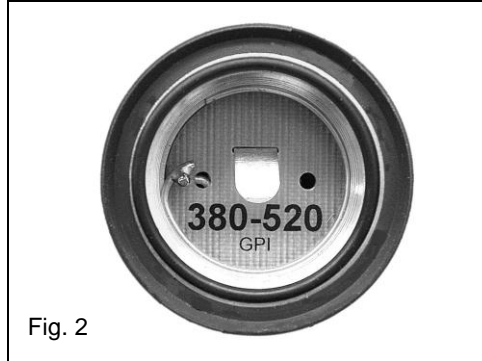


Fig. 2



Fig. 3

**Designed and Optimized for Wide Band Fixed Length
“No Ground Plane” Installations**

NOTE: CAREFULLY READ ALL INSTRUCTIONS BEFORE INSTALLING.

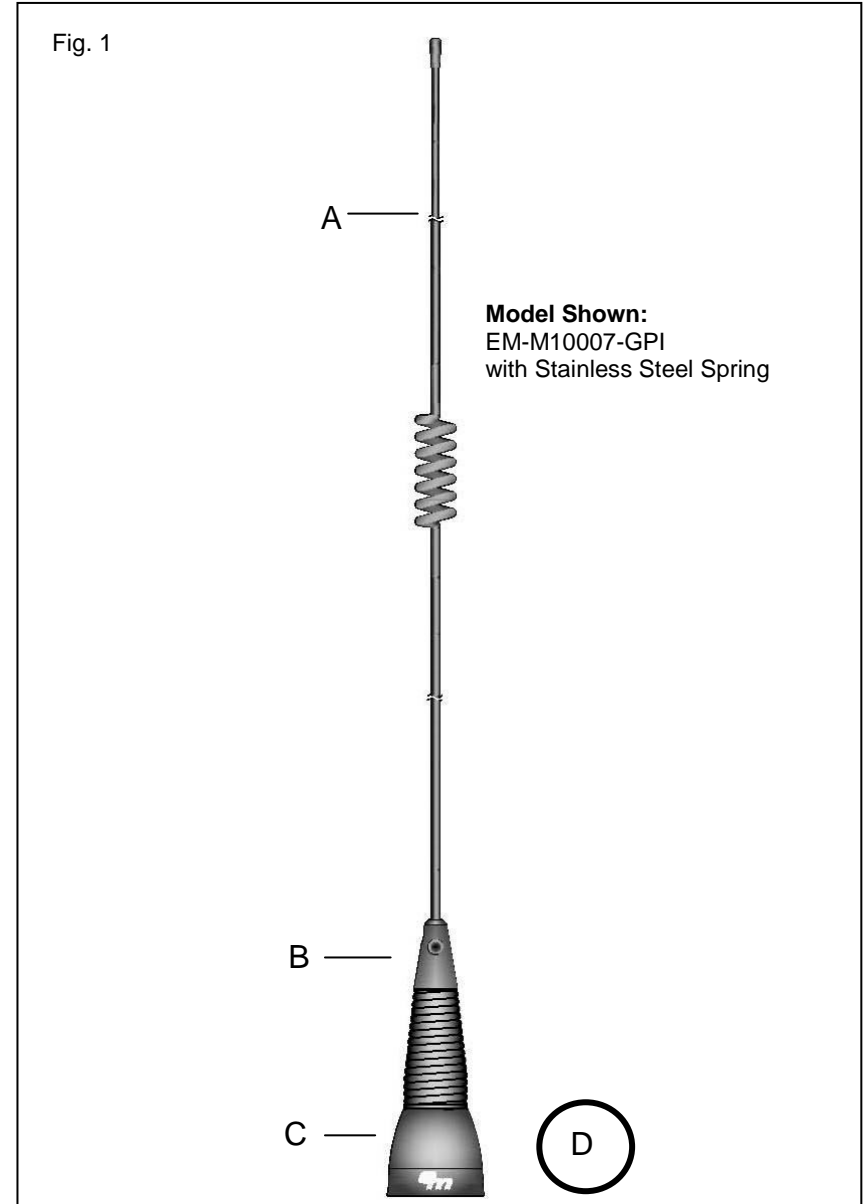


Fig. 1

Model Shown:
EM-M10007-GPI
with Stainless Steel Spring