

# INSTALLATION INSTRUCTIONS

## EM-M20007 (698-960/1710-2500 MHz)

### LTE POLY PRO LOW PROFILE MULTI-BAND NMO MOUNT ANTENNA

*Congratulations on your selection of another quality antenna product from E/M Wave.  
E/M Wave is committed to continually provide the greatest antenna VALUE for your wireless applications.*

**1. Parts:** Verify all parts are included with the antenna as shown in Fig. 1.

- A. Antenna
- B. O-ring

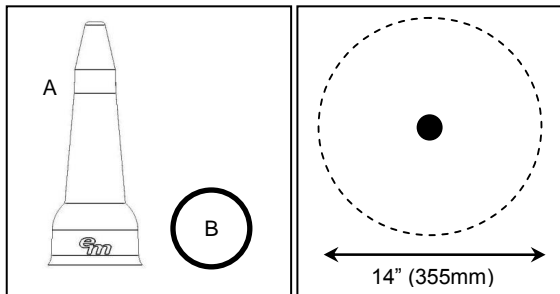


Fig. 1

Fig. 2

**2. Pre-Installation (Fig. 2):**

- A. The EM-M20007 antenna is designed for installation to a high quality, low loss NMO mount (sold separately, see Fig. 3).
- B. For best performance, the metallic ground-plane installation surface should be approximately 14" (355mm) diameter or greater.
- C. Verify that the surface immediately surrounding the NMO mount is flat, properly cleaned and clear of obstructions.

**3. Installation:**

- A. Press O-ring around the base of the NMO antenna mount as shown in Figure 3.
- B. Thread antenna onto NMO mount. Tighten with firm hand torque until O-ring is completely seated against mounting surface.
- C. **CAR WASH REMOVAL (Fig. 4):** Using one hand, hold the antenna at the base adapter with a firm grip. Using the opposite hand, detach the upper radiator section only by unthreading with a Counter Clockwise (CCW) rotation from the base adapter. **Note:** Leave the NMO Base Adapter attached to the NMO mount to protect the mount from water and debris.

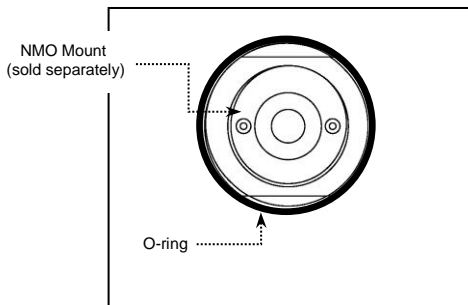


Fig. 3

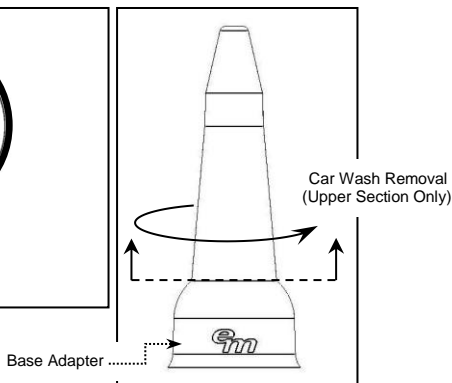


Fig. 4